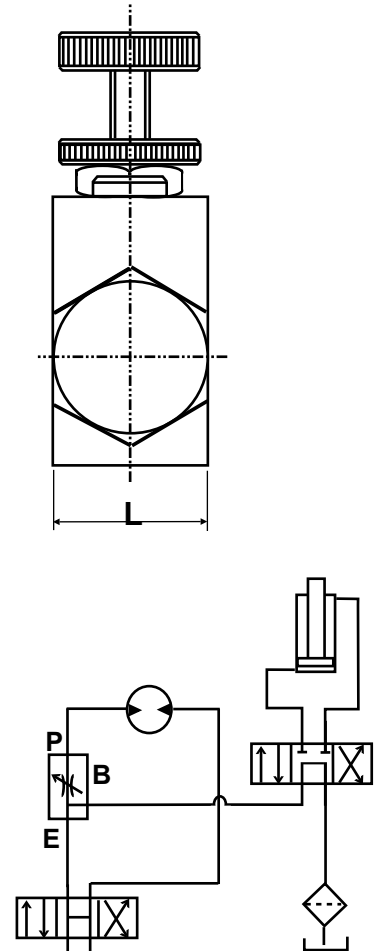
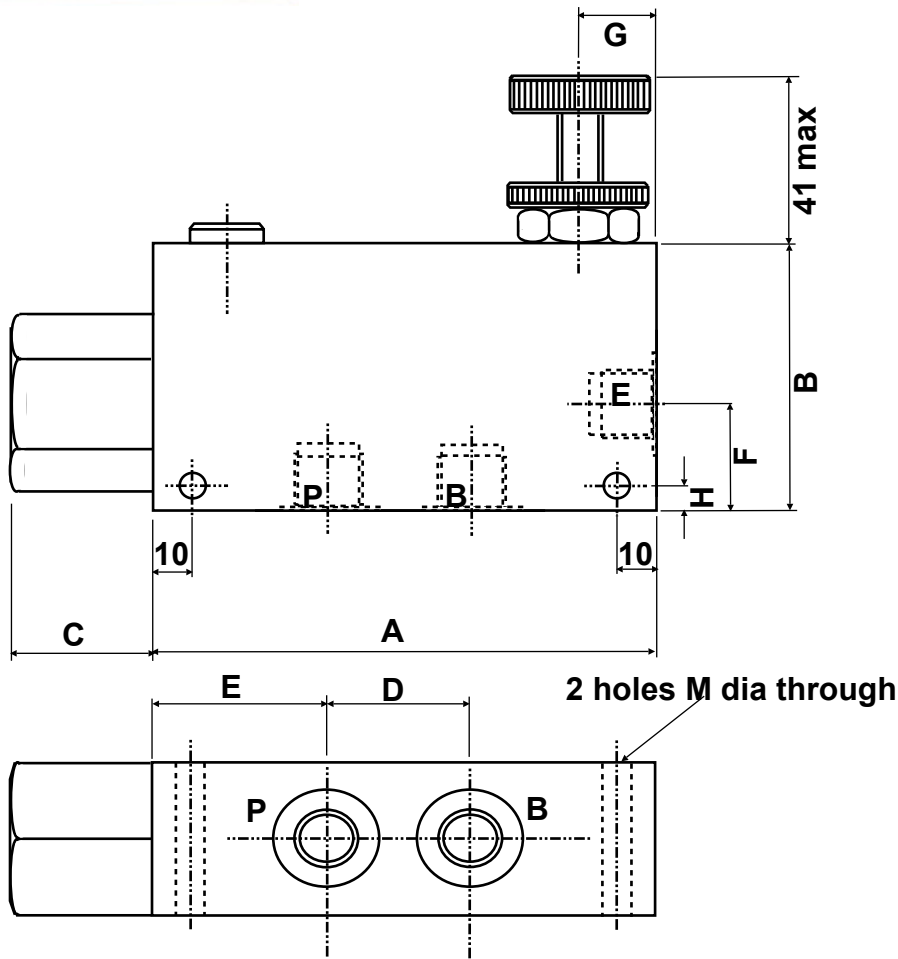




# ANCILLARY EQUIPMENT

## AFCV 12 & 34

### FLOW CONTROL VALVE



Variable priority flow control valve with fully adjustable setting. These valves split a single input flow into a priority regulated flow and a by-pass flow which can be used in a second circuit or to tank. Constant priority flow is maintained regardless of any fluctuations of input flow or pressure.

Flow adjustment range 0 - 3 turns  
 working pressure 250 bar  
 temperature range  $-30^{\circ} > +80^{\circ}$  deg C

QE Maximum inlet flow lpm Maximum  
 QP Maximum priority flow lpm Oil

VALVE CODE	PORT SIZE	A	B	C	D	E	F	G	H	L	M	QE LPM	QP LPM
AFCV 12	1/2" BSP	130	70	38	37	45	28	20	6.5	40	6.5	90	55
AFCV 34	3/4" BSP	155	90	35	44	54	35	25	7.5	50	8.5	150	90

*The policy of Adan Limited is one of continual development and the right is reserved to alter specifications without notice.*



### ADAN LIMITED

RIVERSIDE IND. ESTATE · BOSTON · LINCOLNSHIRE · ENGLAND  
 Tel: +44 (01205) 311500 Fax: +44 (01205) 358013  
 email: sales@adanltd.co.uk website: www.adanltd.co.uk

